

1

2

3

4

NOTES:

(1) PURGE ALL WATER SUPPLY LINES TO REMOVE SOLIDS PRIOR TO TOY INSTALLATION.

(2) PROVIDE ELECTRICAL BOND WITH POOL REBAR.

(3) INSTALL ALL WATER TOYS PLUMB AND LEVEL.

(4) PROVIDE STRAINER UPSTREAM OF TOY WITH MAX 1/32" (0.8mm) PERFORATIONS.

A

A

B

B

C

C

D

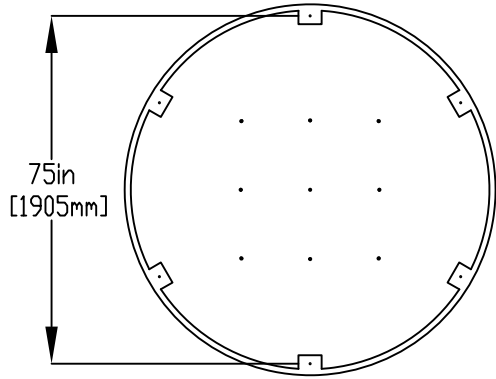
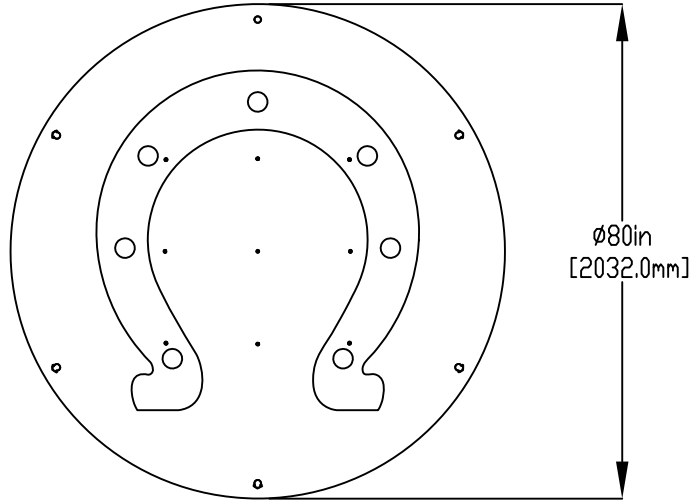
D

E

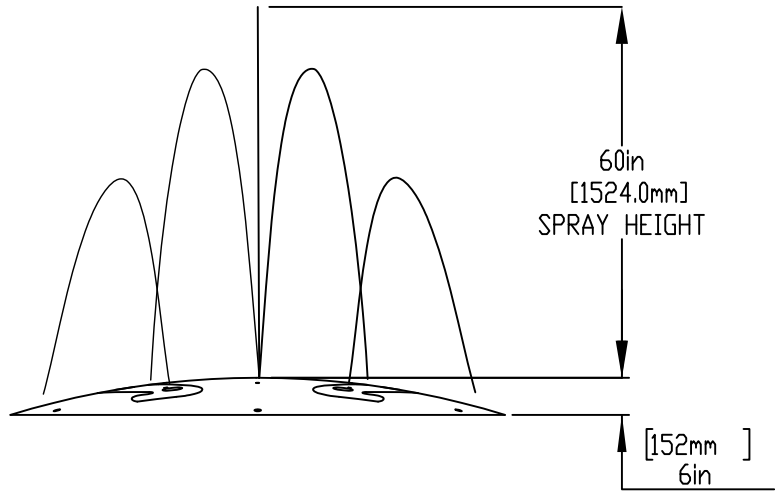
E

F

F



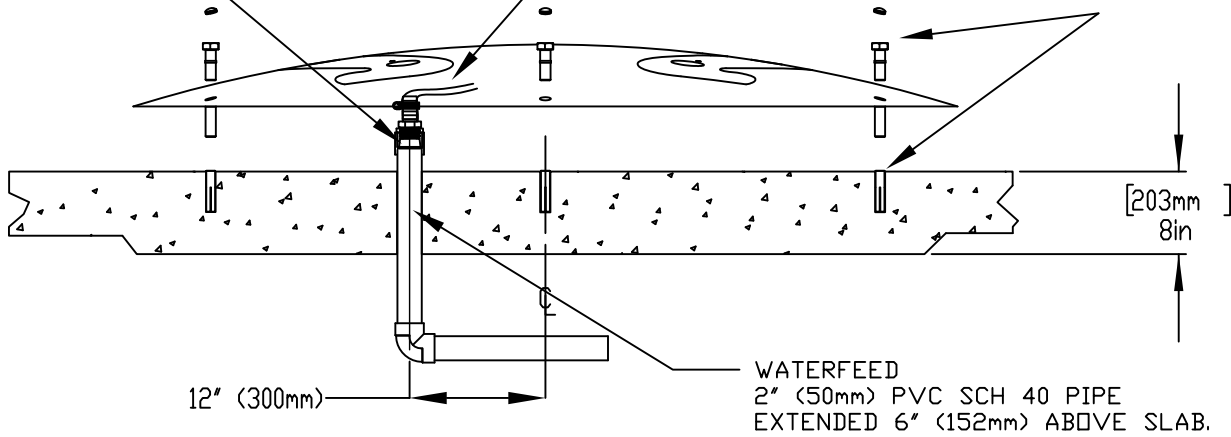
FLANGE DETAIL



2" (50mm) COUPLING
 2" (50mm) TO 1-1/2" (38mm REDUCER)
 1-1/2" (38mm) HOSEBARB W/SS CLAMP
 TO BE PROVIDED BY CONTRACTOR

1-1/2" (38mm) FLEX HOSE
 PROVIDED BY EMPEX

3/8" (10mm) X 3" (75mm)
 HEXBOLT
 3/8" (10mm) FLATWASHER
 3/8" (10mm) 316SS FEMALE ANCHOR
 YELLOW BOLTCOVERS
 TO BE PROVIDED BY CONTRACTOR



WATERFEED
 2" (50mm) PVC SCH 40 PIPE
 EXTENDED 6" (152mm) ABOVE SLAB.

Notes: Overall dimensions of toys are approximate.
 Approximate Weight: 74lbs (33.3kgs)

© EMPEX WATERTOYS



WATER SUPPLY

45 gpm @ 10 psi
 2.8L/S @ 7m

AQUADOME WESTERN

AW447

9/14/2018

SCALE:

Sheet 1 of 1

1

2

3

4