

1

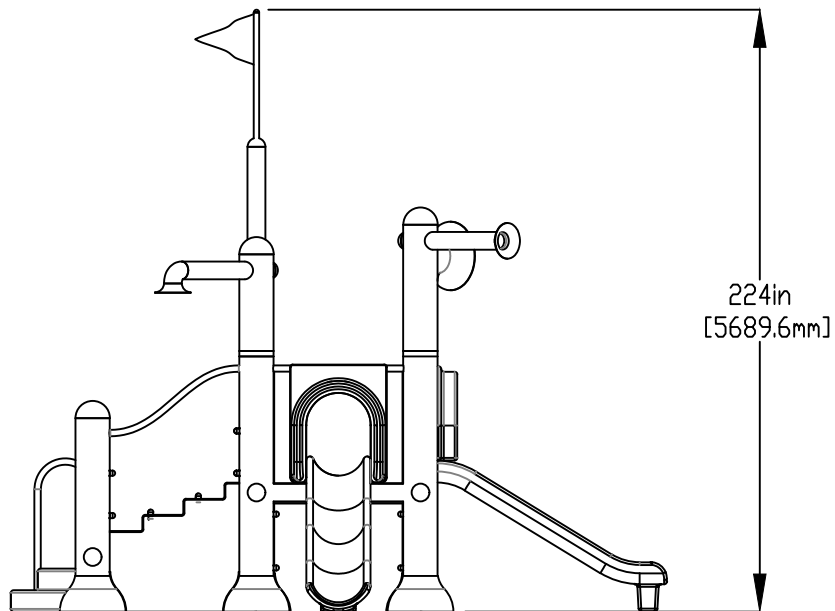
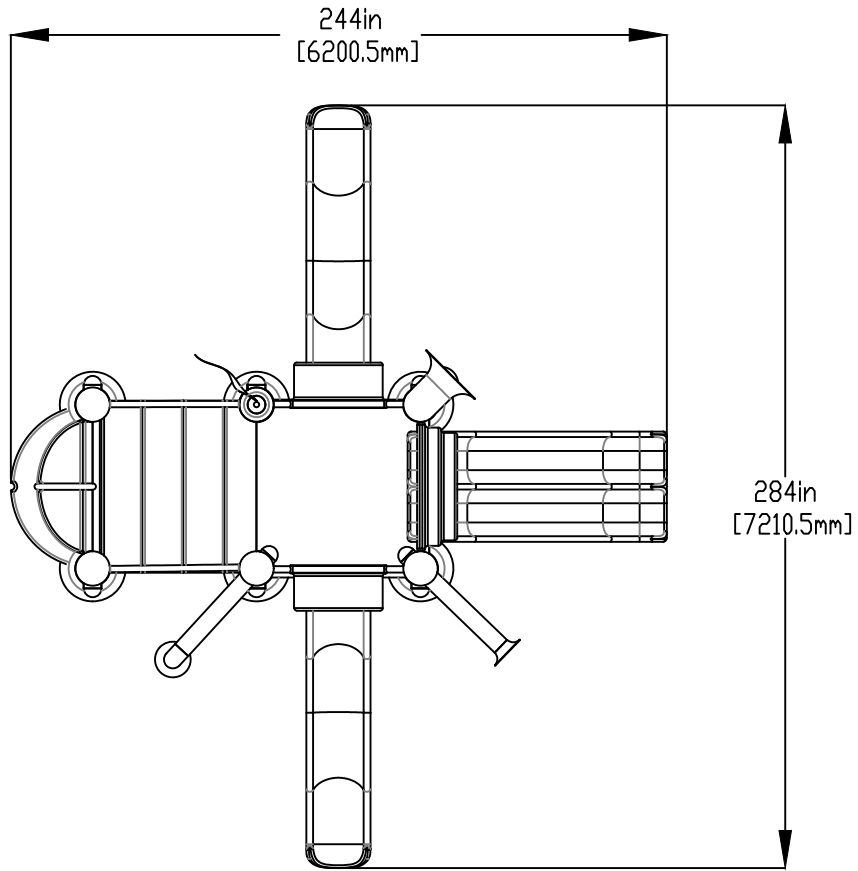
2

3

4

NOTES:

- (1) PURGE ALL WATER SUPPLY LINES TO REMOVE SOLIDS PRIOR TO TOY INSTALLATION.
- (2) PROVIDE ELECTRICAL BOND WITH POOL REBAR.
- (3) INSTALL ALL WATER TOYS PLUMB AND LEVEL.
- (4) PROVIDE STRAINER UPSTREAM OF TOY WITH MAX 1/32" (0.8mm) PERFORATIONS.



Notes: Overall dimensions of toys are approximate.

© EMPEX WATERTOYS



WATER SUPPLY
 190 gpm @ 25 psi
 14.49 L/S @17.5m

AQUADEK

T410-3S

14/02/2024

SCALE:

Sheet 1 of 3

1

2

3

4

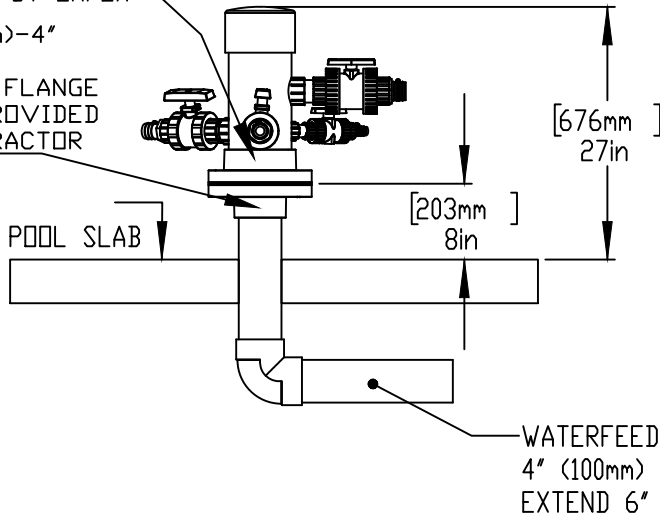
MANIFOLD PROVIDED BY EMPEX

- (1) 2" (50mm) VALVES:
AQUAFALLS
- (2) 1.5" (38mm) VALVES:
AQUAFLAG
AQUAFAN
- (1) 1" (25mm) VALVE:
AQUASHOWER

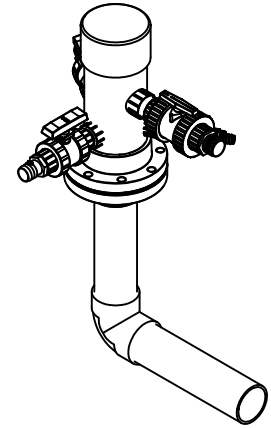
A

6" (152mm) FLANGE PROVIDED BY EMPEX

6" (152mm)-4" (100mm) REDUCER FLANGE TO BE PROVIDED BY CONTRACTOR



WATERFEED
4" (100mm) PVC SCH 40 PIPE
EXTEND 6" (152mm) ABOVE SLAB



B

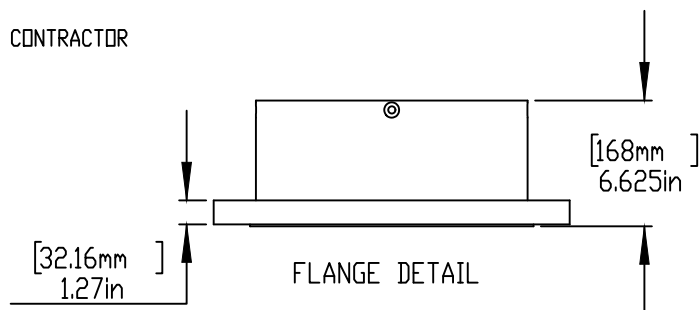
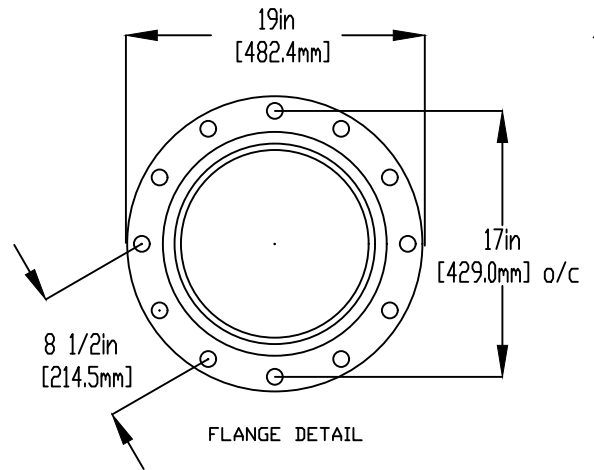
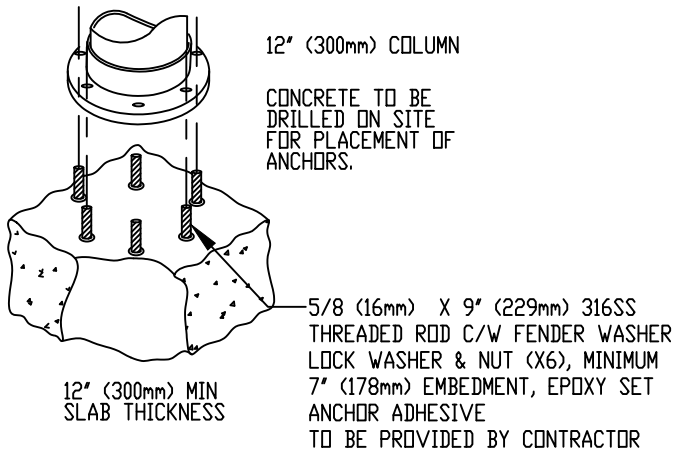
B

C

C

D

D



E

E

F

F



Notes: Overall dimensions of toys are approximate.

© EMPEX WATERTOYS

WATER SUPPLY

190 gpm @ 25 psi
14.49 L/S @17.5m

AQUADEK

T410-3S

14/02/2024

SCALE:

Sheet
2 of 3

NOTES:

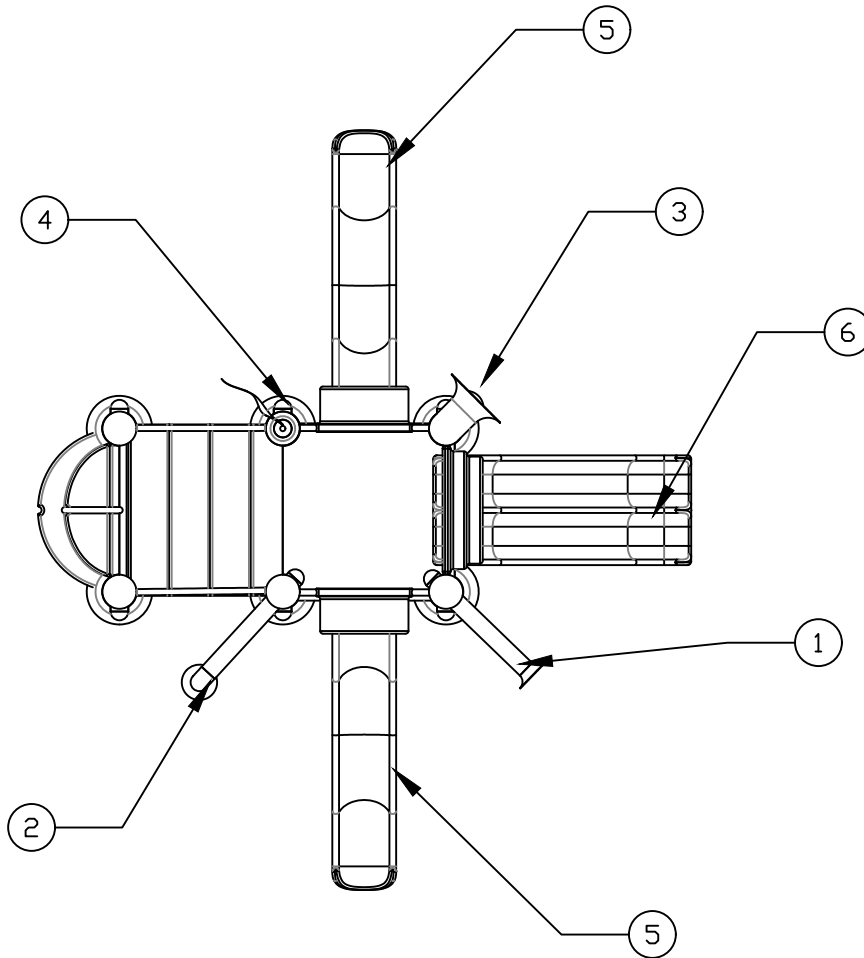
(1) PURGE ALL WATER SUPPLY LINES TO REMOVE SOLIDS PRIOR TO TOY INSTALLATION.

(2) PROVIDE ELECTRICAL BOND WITH POOL REBAR.

(3) INSTALL ALL WATER TOYS PLUMB AND LEVEL.

(4) PROVIDE STRAINER UPSTREAM OF TOY WITH MAX 1/32" (0.8mm) PERFORATIONS.

AQUADEK FEATURES



No.	Toy	Description	No. Events	MAX GPM	MAX LTPS
1	Aquafall	Lateral Stream Water Fall	1	60	3.78
2	Aquashower	Laminar Spray	1	30	1.89
3	Aquaflare	Cascading Waterspray	1	30	1.89
4	Flag Pole	Laminar Spray	1	30	1.89
5	Triple Rail Slide	Two Lane Racing Slide	1		
6	Wave Slide	Single Lane Wave Slide	2		
TOTALS			7	190	14.49

Notes: Overall dimensions of toys are approximate.

© EMPEX WATERTOYS



WATER SUPPLY
 190 gpm @ 25 psi
 14.49 L/S @17.5m

AQUADEK

T410-3S

14/02/2024

SCALE:

Sheet 3 of 3