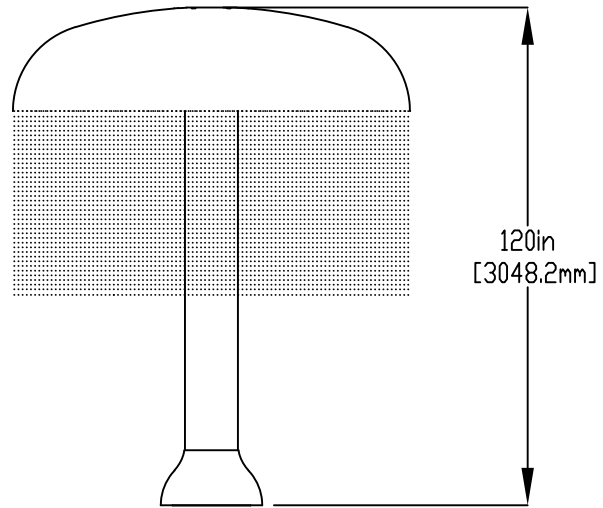
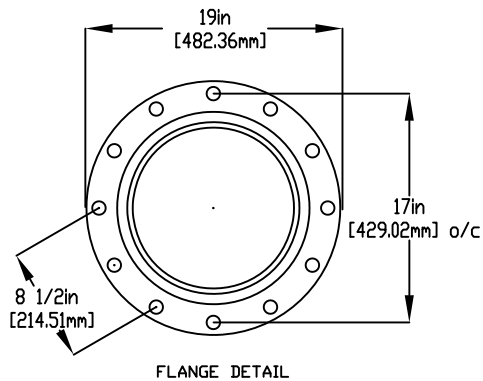
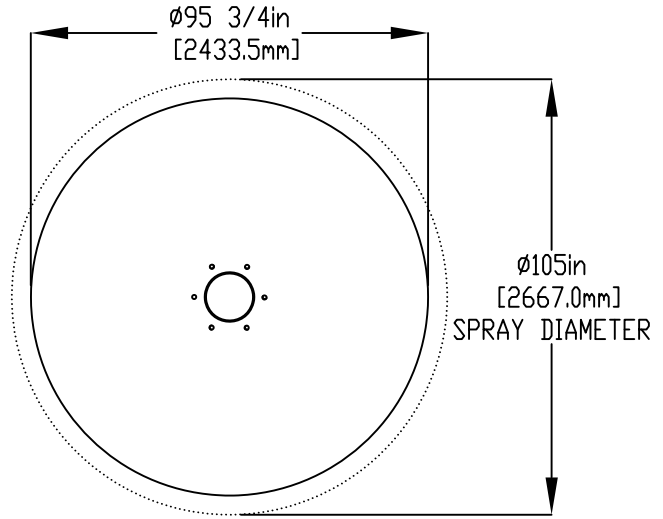


NOTES:

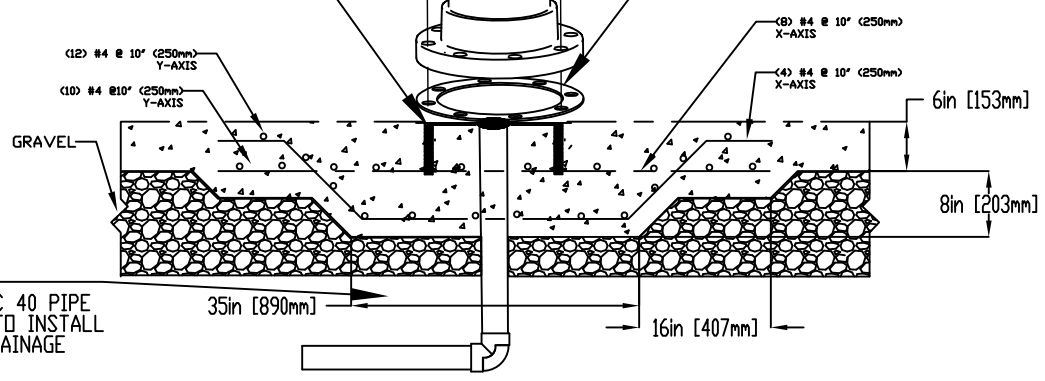
- (1) PURGE ALL WATER SUPPLY LINES TO REMOVE SOLIDS PRIOR TO TOY INSTALLATION.
- (2) PROVIDE ELECTRICAL BOND WITH POOL REBAR.
- (3) INSTALL ALL WATER TOYS PLUMB AND LEVEL.
- (4) PROVIDE STRAINER UPSTREAM OF TOY WITH MAX 1/32" (0.8mm) PERFORATIONS.



LOWER FLANGE COVER AFTER TOY IS INSTALLED.

5/8" (16mm) X 9" (230mm) 316SS  
 THREADED ROD C/W FENDER WASHER  
 LOCK WASHER, & NUT (X6), MINIMUM  
 6" (152mm) EMBEDMENT, EPOXY SET  
 ANCHOR ADHESIVE  
 TO BE PROVIDED BY CONTRACTOR

ENSURE LEVEL & PLUMB  
 12" (300mm) X 1/8" (3mm) GASKET  
 INSTALLED UNDER FLANGE  
 TO BE PROVIDED BY EMPEX



WATERFEED  
 4" (100mm) PVC SHC 40 PIPE  
 CUT CLOSE PRIOR TO INSTALL  
 TO ALLOW FULL DRAINAGE  
 (WINTERIZATION)

Notes: Overall dimensions of toys are approximate.  
 Approximate Weight: 398lbs / 180.9kgs

© EMPEX WATERTOYS



WATER SUPPLY  
 400 - 600gpm @ 10psi  
 25.2 - 37.9L/S @7m

AQUABRELLA

T888

07/08/2020

SCALE:

Sheet 1 of 1