

NOTES:

- (1) PURGE ALL WATER SUPPLY LINES TO REMOVE SOLIDS PRIOR TO TOY INSTALLATION.
- (2) PROVIDE ELECTRICAL BOND WITH POOL REBAR.
- (3) INSTALL ALL WATER TOYS PLUMB AND LEVEL.
- (4) PROVIDE STRAINER UPSTREAM OF TOY WITH MAX 1/32" (0.8mm) PERFORATIONS.

A

A

B

B

C

C

D

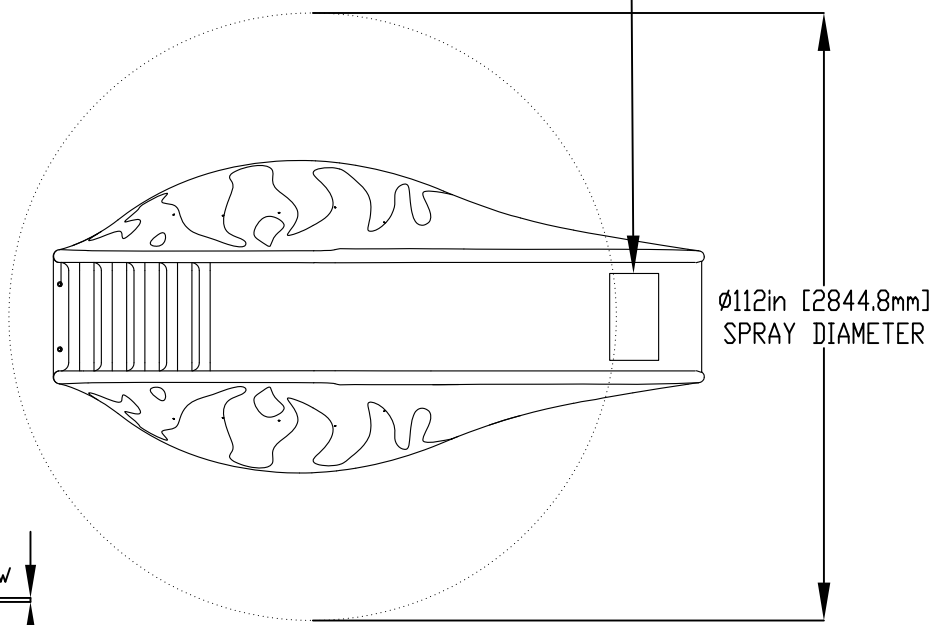
D

E

E

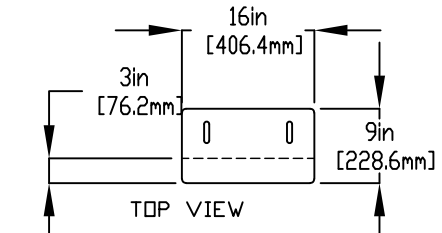
F

F

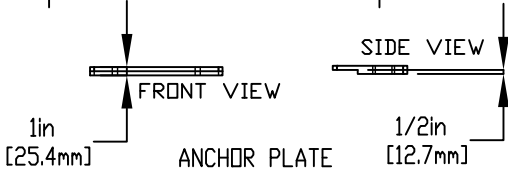


LEXAN ANCHOR PLATE PROVIDED BY EMPEX

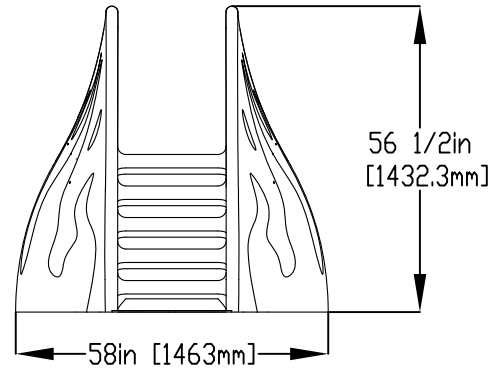
Ø112in [2844.8mm] SPRAY DIAMETER



TOP VIEW

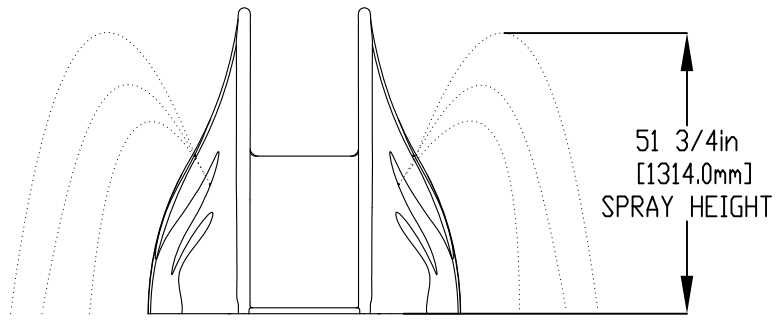


ANCHOR PLATE



56 1/2in [1432.3mm]

58in [1463mm]



51 3/4in [1314.0mm] SPRAY HEIGHT

2" (50mm) COUPLING
2" (50mm)-1" (25mm) REDUCER
1" (25mm) HOSEBARB W/SS CLAMP
TO BE PROVIDED BY CONTRACTOR

1" (25mm) FLEX HOSE PROVIDED BY EMPEX

1/2" (13mm) X 8" (203mm) 316SS
THREADED ROD C/W FENDER WASHER,
LOCK WASHER & NUT (X2), MINIMUM
6" (152mm) EMBEDMENT, EPOXY SET
ANCHOR ADHESIVE
TO BE PROVIDED BY CONTRACTOR

1/2" (13mm) X 1-1/2" (38mm) 316SS
COUNTER SINK SCREW WITH
2" (50mm) FEMALE ANCHORS (X2)
PROVIDED BY EMPEX
EPOXY SET ANCHOR ADHESIVE

WATERFEED
2" (50mm) SCH 40 PVD PIPE
EXTENDED 6" (152mm) ABOVE SLAB.

MAX WATER DEPTH
0-12in [311mm]

8in [203mm]

Notes: Overall dimensions of toys are approximate.
Approximate Weight 156lbs / 70.9kgs

© EMPEX WATERTOYS



WATER SUPPLY
30 gpm @ 25 psi
1.89L/S @17.5m

AQUAWAVE FIRE

AF 450

15/03/2022

SCALE:

Sheet
1 of 1