

1

2

3

4

NOTES:

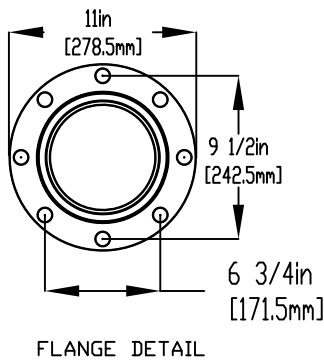
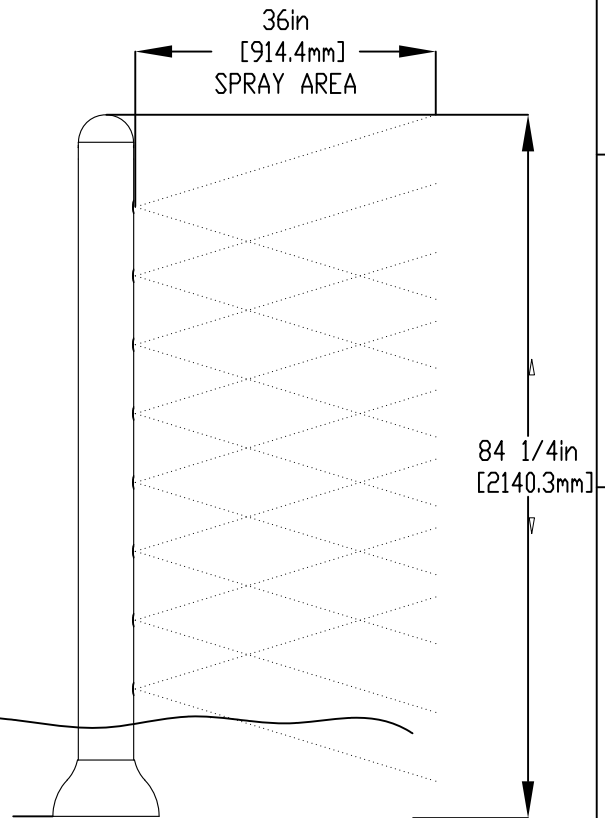
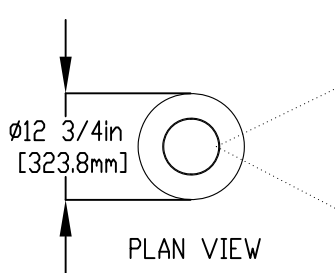
*RECOMMENDED TO BE INSTALLED ON LEVELLED AREAS ONLY.

(1) PURGE ALL WATER SUPPLY LINES TO REMOVE SOLIDS PRIOR TO TOY INSTALLATION.

(2) PROVIDE ELECTRICAL BOND WITH POOL REBAR.

(3) INSTALL ALL WATER TOYS PLUMB AND LEVEL.

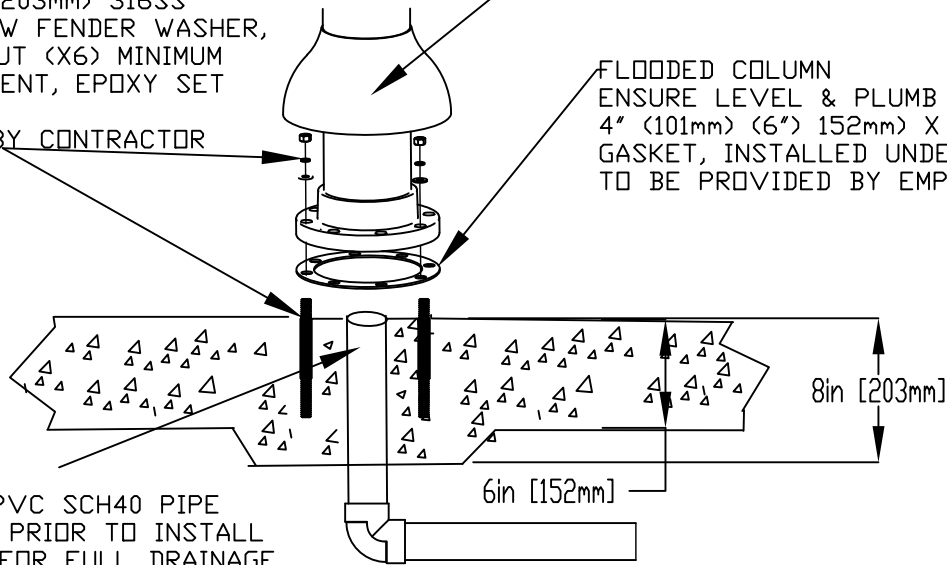
(4) PROVIDE STRAINER UPSTREAM OF TOY WITH MAX 1/32" (0.8mm) PERFORATIONS.



LOWER FLANGE COVERS AFTER TOY IS INSTALLED

1/2" (13mm) X 8" (203mm) 316SS THREADED ROD, C/W FENDER WASHER, LOCK WASHER & NUT (X6) MINIMUM 6" (152mm) EMBEDMENT, EPOXY SET ANCHOR ADHESIVE TO BE PROVIDED BY CONTRACTOR

FLOODED COLUMN ENSURE LEVEL & PLUMB 4" (101mm) (6") 152mm) X 1/8" (3mm) GASKET, INSTALLED UNDER FLANGE TO BE PROVIDED BY EMPEX



Notes: Overall dimensions of toys are approximate. Approximate Weight: 46lbs / 20.9kgs

© EMPEX WATERTOYS



WATER SUPPLY

20 gpm @ 25 psi
1.3L/S @17.5m

AQUASPRITZ

T260S

15/05/2020

SCALE:

Sheet
1 of 1

1

2

3

4