

1

2

3

4

NOTES:

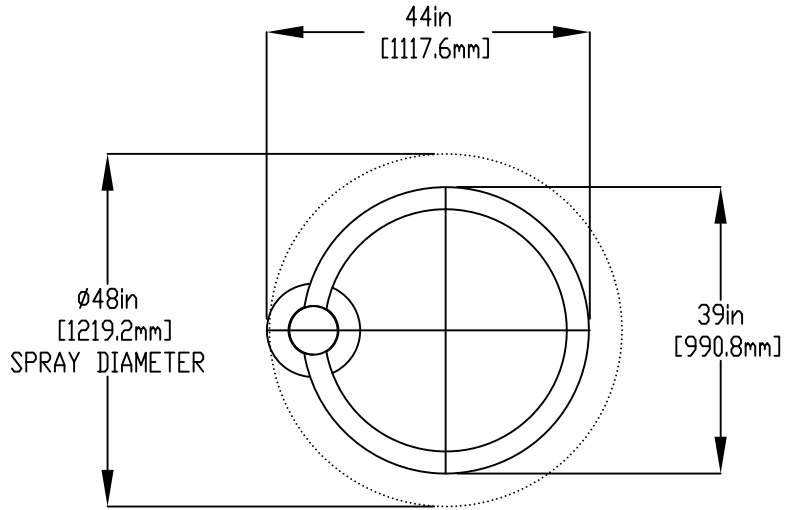
*RECOMMENDED TO BE INSTALLED ON LEVELLED AREAS ONLY.

(1) PURGE ALL WATER SUPPLY LINES TO REMOVE SOLIDS PRIOR TO TOY INSTALLATION.

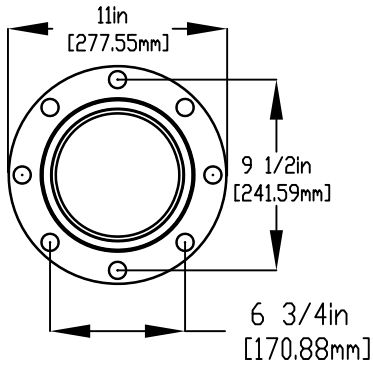
(2) PROVIDE ELECTRICAL BOND WITH POOL REBAR.

(3) INSTALL ALL WATER TOYS PLUMB AND LEVEL.

(4) PROVIDE STRAINER UPSTREAM OF TOY WITH MAX 1/32" (0.8mm) PERFORATIONS.



PLAN VIEW



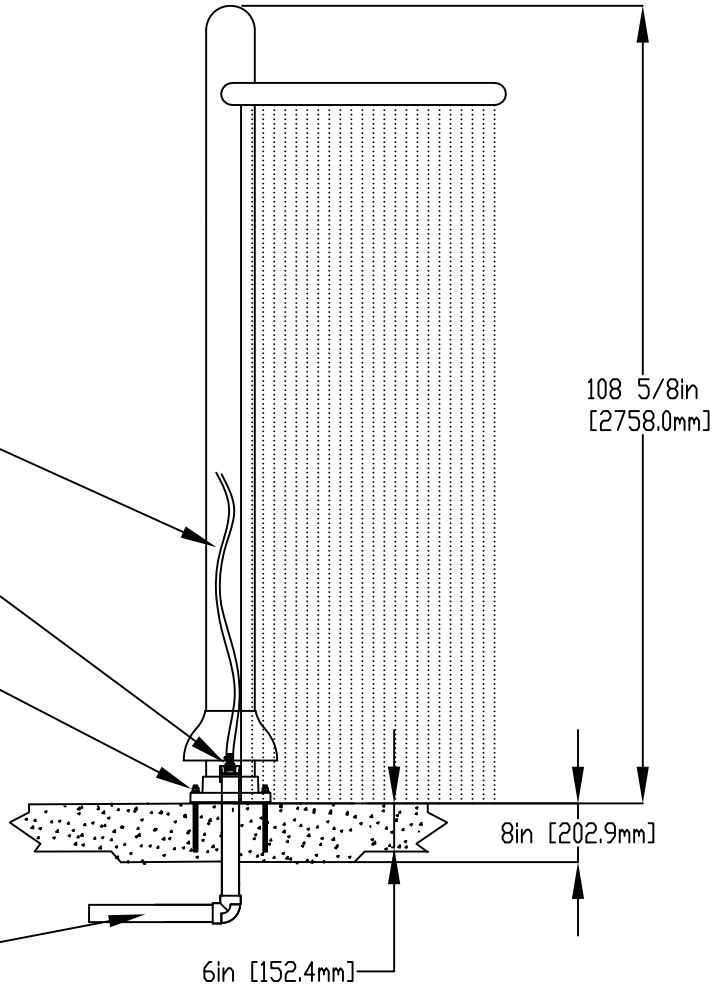
FLANGE DETAIL

1" (25mm) FLEX HOSE PROVIDED BY EMPEX

2" (50mm) COUPLING
2" (50mm) - 1" (25mm) REDUCER
1" (25mm) HOSEBARB W/SS CLAMP TO BE PROVIDED BY CONTRACTOR

1/2" (13mm) X 8" (203mm) 316SS THREADED ROD C/W FENDER WASHER, LOCK WASHER & NUT (X4), MINIMUM EMBEDMENT 6" (152mm), EPOXY SET ANCHOR ADHESIVE TO BE PROVIDED BY CONTRACTOR.

WATERFEED
2" PVC SCH 40 PIPE EXTENDED 6" ABOVE SLAB



A

A

B

B

C

C

D

D

E

E

F

F



Notes: Overall dimensions of toys are approximate.
Approximate Weight:

© EMPEX WATERTOYS

WATER SUPPLY

30 gpm @ 25 psi
1.89 L/S @ 17.5m

AQUARING

T265

17/11/2020

SCALE:

Sheet
1 of 1

1

2

3

4