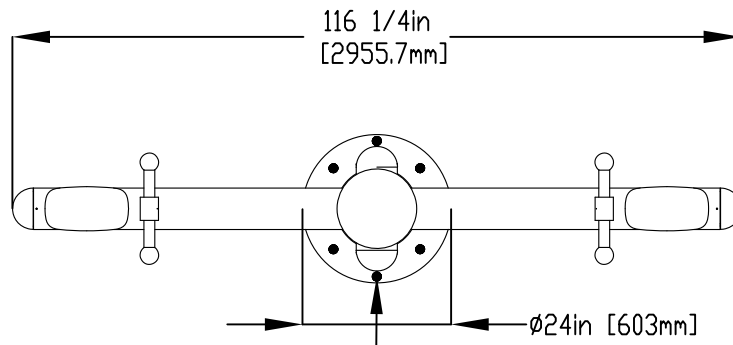
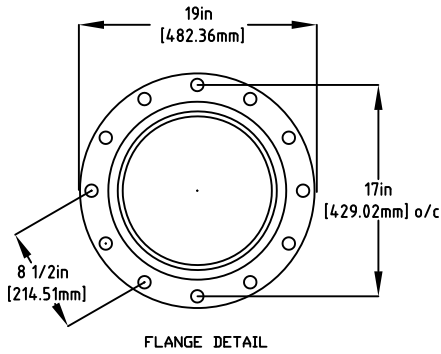


NOTES:

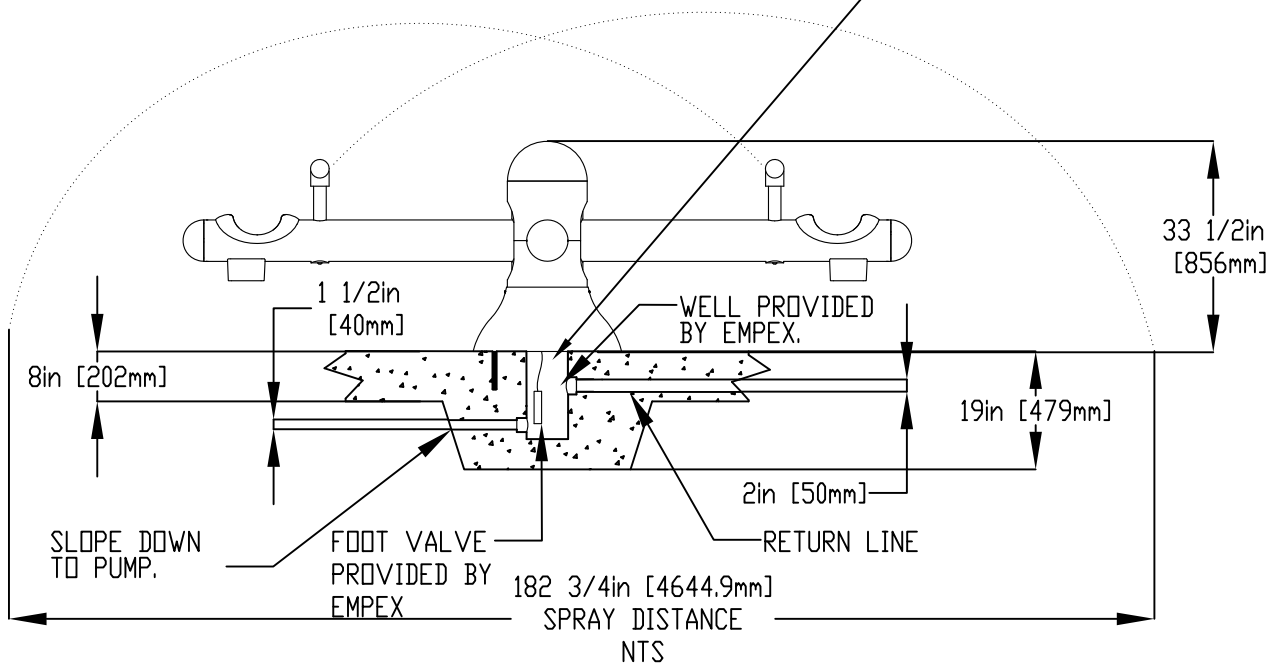
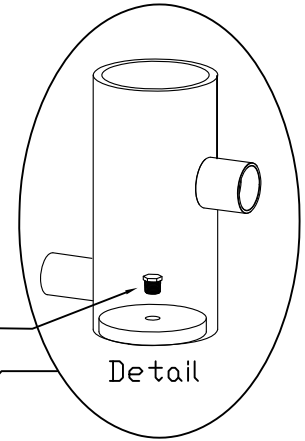
- (1) PURGE ALL WATER SUPPLY LINES TO REMOVE SOLIDS PRIOR TO TOY INSTALLATION.
- (2) PROVIDE ELECTRICAL BOND WITH POOL REBAR.
- (3) INSTALL ALL WATER TOYS PLUMB AND LEVEL.
- (4) PROVIDE STRAINER UPSTREAM OF TOY WITH MAX 1/32" (0.8mm) PERFORATIONS.



1/2" (13mm) X 8" (203mm) 316SS THREADED ROD C/W FENDER WASHER, LOCK WASHER & NUT (X4). MINIMUM 6" (152mm) EMBEDMENT, EPOXY SET ANCHOR ADHESIVE TO BE PROVIDED BY CONTRACTOR



THREADED DRAIN PLUG FOR WINTERIZATION



Notes: Overall dimensions of toys are approximate.

© EMPEX WATERTOYS



WATER SUPPLY
10 gpm @ 25 psi
0.6 L/S @17.5m

WATERTOTTER - WITH WATER WELL

T311-W

20/04/20122

SCALE:

Sheet
1 of 1