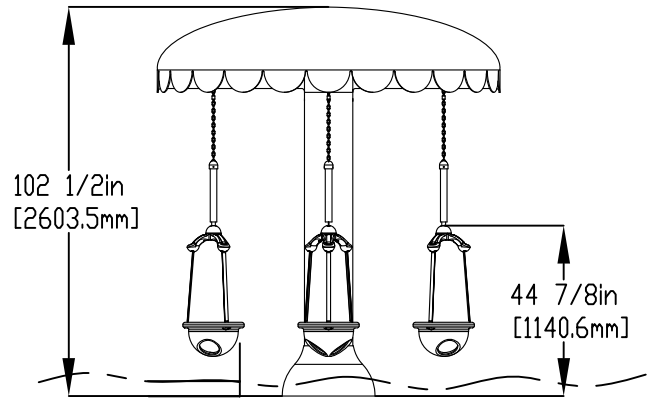
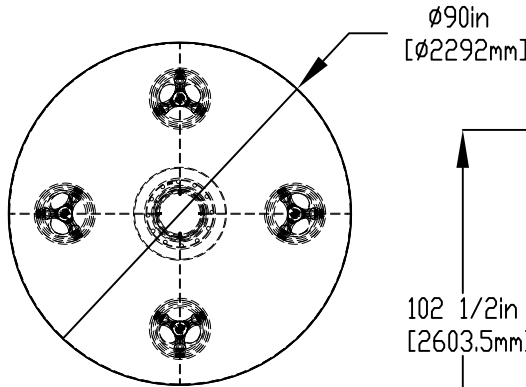
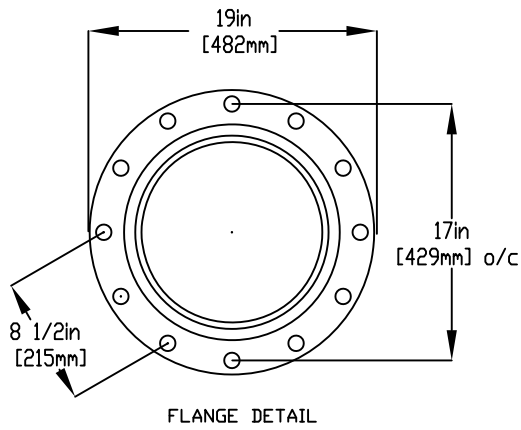


NOTES:

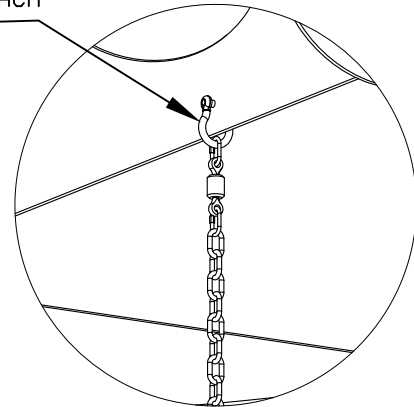
- (1) PURGE ALL WATER SUPPLY LINES TO REMOVE SOLIDS PRIOR TO TOY INSTALLATION.
- (2) PROVIDE ELECTRICAL BOND WITH POOL REBAR.
- (3) INSTALL ALL WATER TOYS PLUMB AND LEVEL.
- (4) PROVIDE STRAINER UPSTREAM OF TOY WITH MAX 1/32" (0.8mm) PERFORATIONS.



WATER DEPTH  
MIN 0in [0mm]  
MAX 4in [101mm]



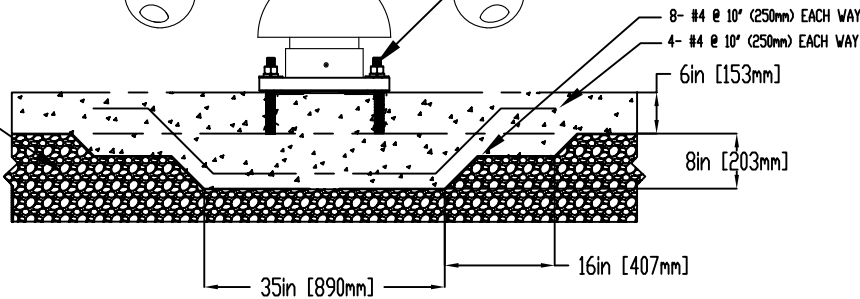
USE SHACKLE TO ATTACH SEATS TO DOME



LOWER FLANGE COVER AFTER INSTALL.

5/8" (16mm) X 8" (203mm) 316SS  
THREADED ROD C/W FENDER WASHER,  
LOCK WASHER & NUT (X6), MINIMUM  
6" (150mm) EMBEDMENT. EPOXY SET  
ANCHOR ADHESIVE  
TO BE PROVIDED BY CONTRACTOR

GRANULAR BASE



Notes: Overall dimensions of toys are approximate.  
Approximate Weight: 490lbs /222.7kgs

© EMPEX WATERTOYS



WATER SUPPLY

N/A

BABY BUNGEE DOME

T504D

01/03/2021

SCALE:

Sheet  
1 of 1