

NOTES:

- (1) PURGE ALL WATER SUPPLY LINES TO REMOVE SOLIDS PRIOR TO TOY INSTALLATION.
- (2) PROVIDE ELECTRICAL BOND WITH POOL REBAR.
- (3) INSTALL ALL WATER TOYS PLUMB AND LEVEL.
- (4) PROVIDE STRAINER UPSTREAM OF TOY WITH MAX 1/32" (0.08mm) PERFORATIONS.

A

A

B

B

C

C

D

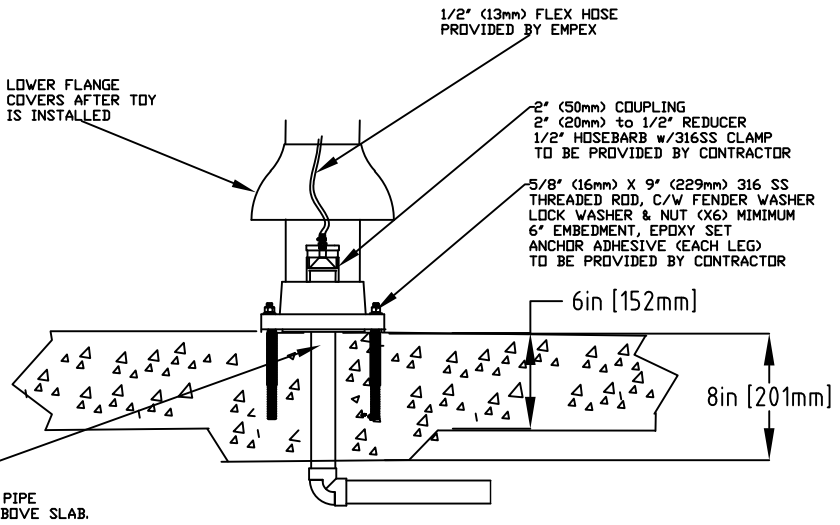
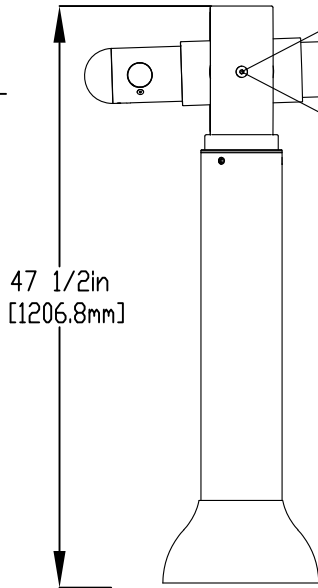
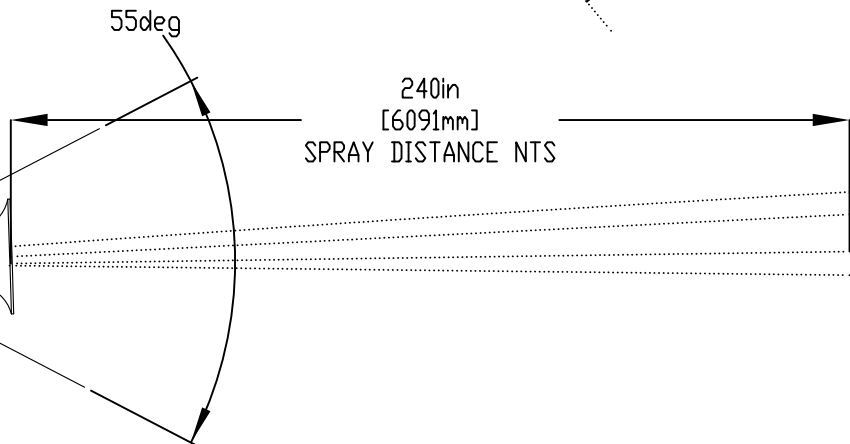
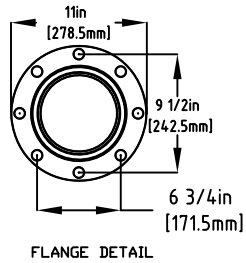
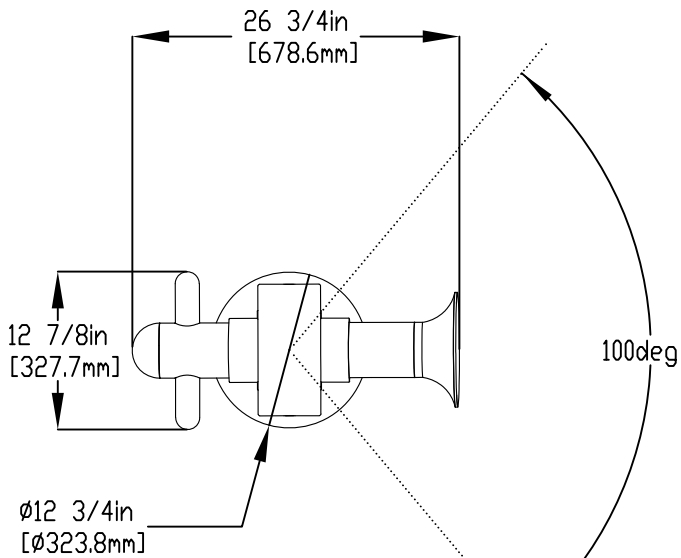
D

E

E

F

F



Notes: Overall dimensions of toys are approximate.  
 Approximate Weight: 45lbs / 20.5kgs

© EMPEX WATERTOYS



WATER SUPPLY

15 GPM @ 25 PSI  
 0.9 L/S @ 17.5m

AQUAZOOKA

T409

01/05/2020

SCALE:

Sheet 1 of 1