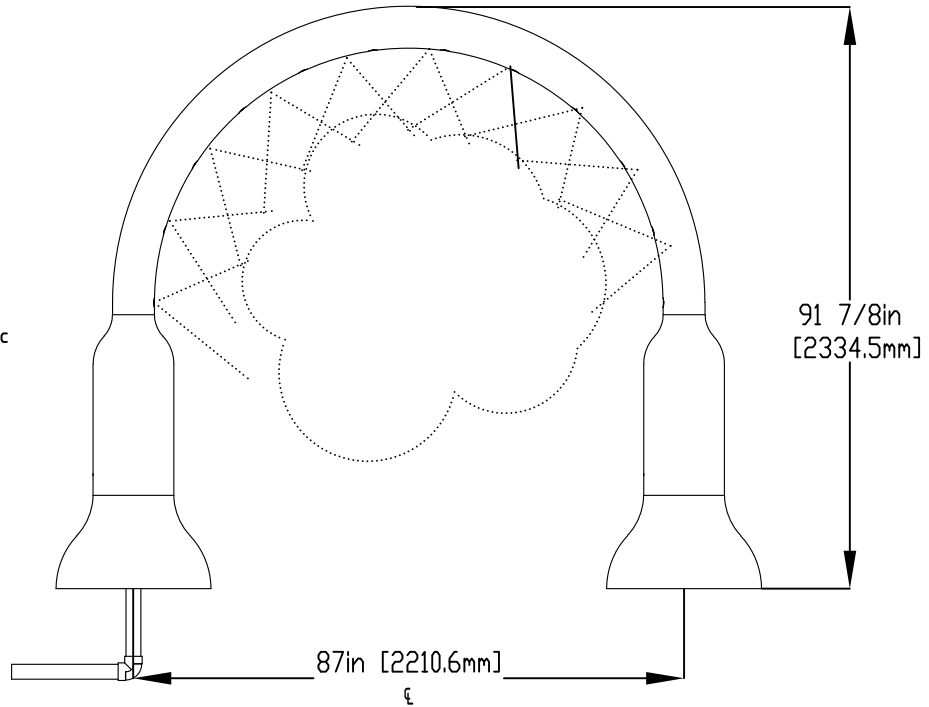
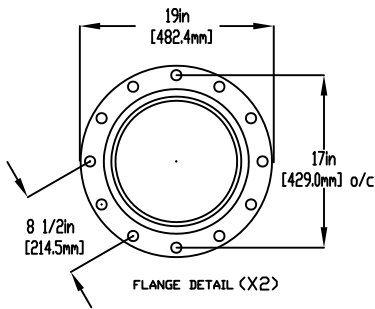
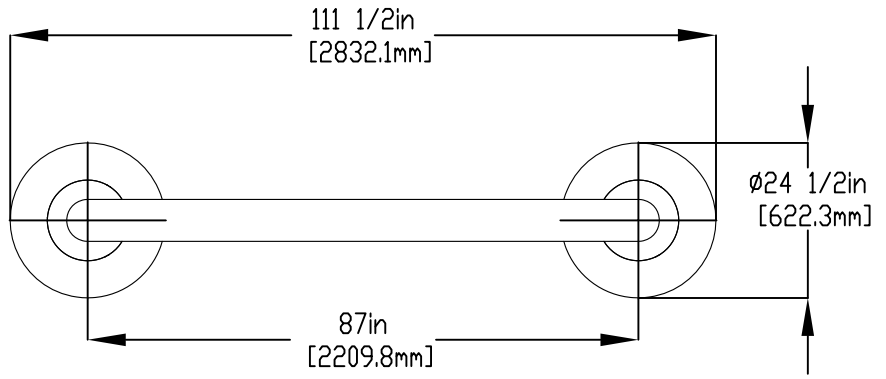


NOTES:

- (1) PURGE ALL WATER SUPPLY LINES TO REMOVE SOLIDS PRIOR TO TOY INSTALLATION.
- (2) PROVIDE ELECTRICAL BOND WITH POOL REBAR.
- (3) INSTALL ALL WATER TOYS PLUMB AND LEVEL.
- (4) PROVIDE STRAINER UPSTREAM OF TOY WITH MAX 1/32" (0.8mm) PERFORATIONS.

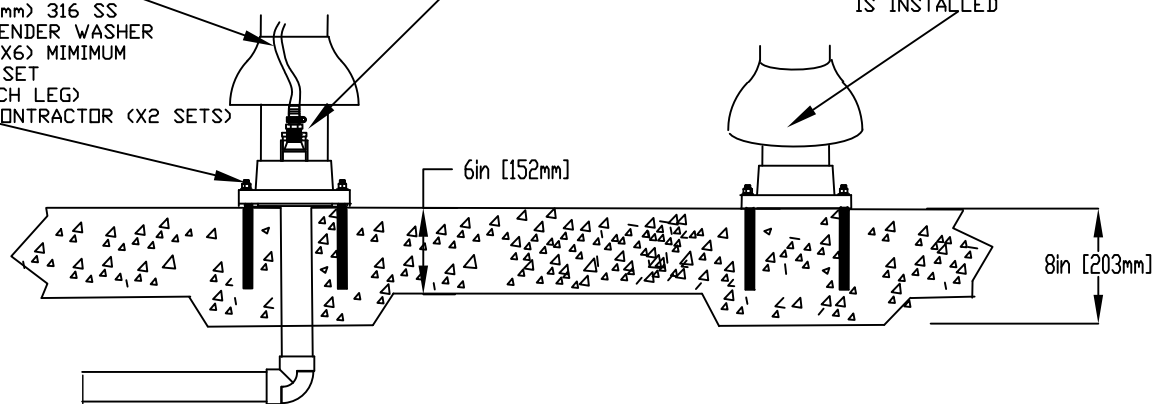


1" (25mm) FLEX HOSE PROVIDED BY EMPEX

2" (50mm) COUPLING
 2" (50mm) TO 1" (25mm) REDUCER
 1" (25mm) HOSE BARB W/SS CLAMP TO BE PROVIDED BY CONTRACTOR

LOWER FLANGE COVERS AFTER TOY IS INSTALLED

5/8" (16mm) X 9" (229mm) 316 SS THREADED ROD, C/W FENDER WASHER LOCK WASHER & NUT (X6) MINIMUM 6" EMBEDMENT, EPOXY SET ANCHOR ADHESIVE (EACH LEG) TO BE PROVIDED BY CONTRACTOR (X2 SETS)



Notes: Overall dimensions of toys are approximate.
 Approximate Weight: 264lbs / 120kgs

© EMPEX WATERTOYS



WATER SUPPLY
 35 gpm @ 25 psi
 2.21L/S @17.5m

AQUABOW

T811

15/05/2020

SCALE:

Sheet 1 of 1