

1

2

3

4

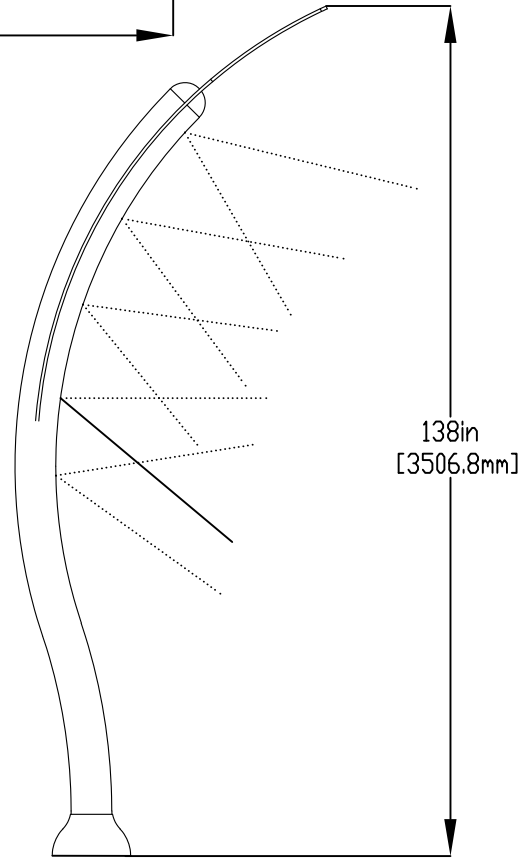
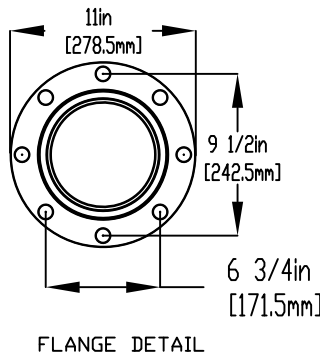
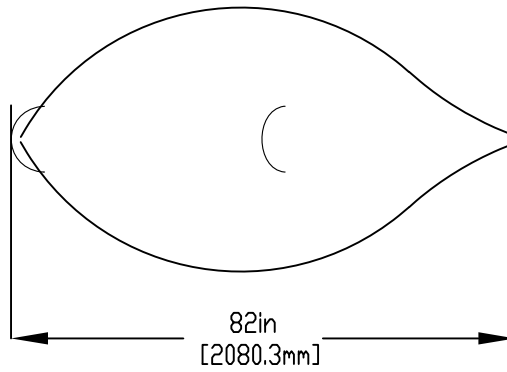
NOTES:

(1) PURGE ALL WATER SUPPLY LINES TO REMOVE SOLIDS PRIOR TO TOY INSTALLATION.

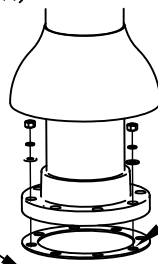
(2) PROVIDE ELECTRICAL BOND WITH POOL REBAR.

(3) INSTALL ALL WATER TOYS PLUMB AND LEVEL.

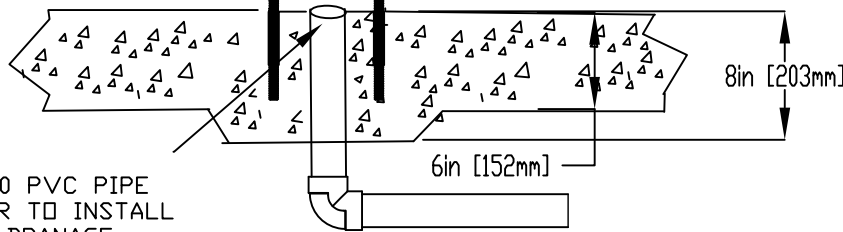
(4) PROVIDE STRAINER UPSTREAM OF TOY WITH MAX 1/32" (0.8mm) PERFORATIONS.



1/2" (13mm) X 8" (203mm) 316SS THREADED ROD, C/W FENDER WASHER, LOCK WASHER & NUT (X6) MINIMUM 6" (152mm) EMBEDMENT, EPOXY SET ANCHOR ADHESIVE TO BE PROVIDED BY CONTRACTOR



FLOODED COLUMN ENSURE LEVEL & PLUMB 4" (101mm) (6") 152mm) X 1/8" (3mm) GASKET, INSTALLED UNDER FLANGE TO BE PROVIDED BY EMPEX



WATRFEED 2" (50mm) SCH 40 PVC PIPE CUT CLOSE PRIOR TO INSTALL TO ALLOW FULL DRAINAGE

F



Notes: Overall dimensions of toys are approximate.

© EMPEX WATERTOYS

WATER SUPPLY
30 gpm @ 25 psi
1.89L/S @17.5m

AQUALEAF

TR343

30/04/2024

SCALE:

Sheet
1 of 1

1

2

3

4