

1

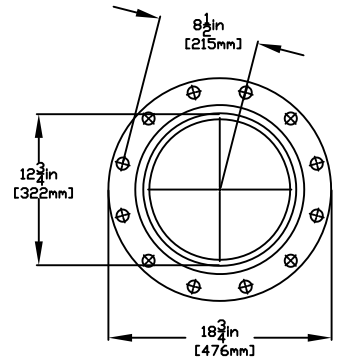
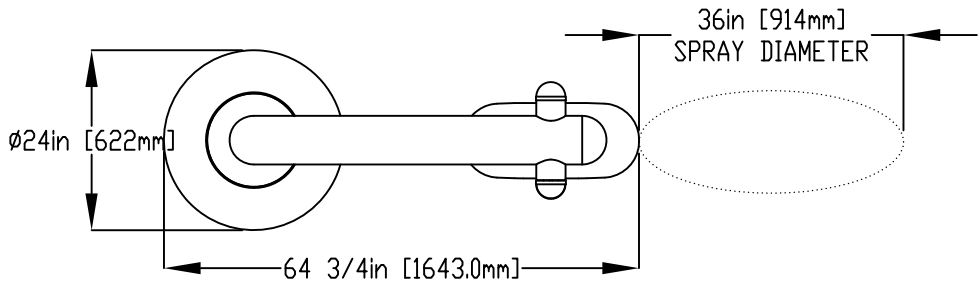
2

3

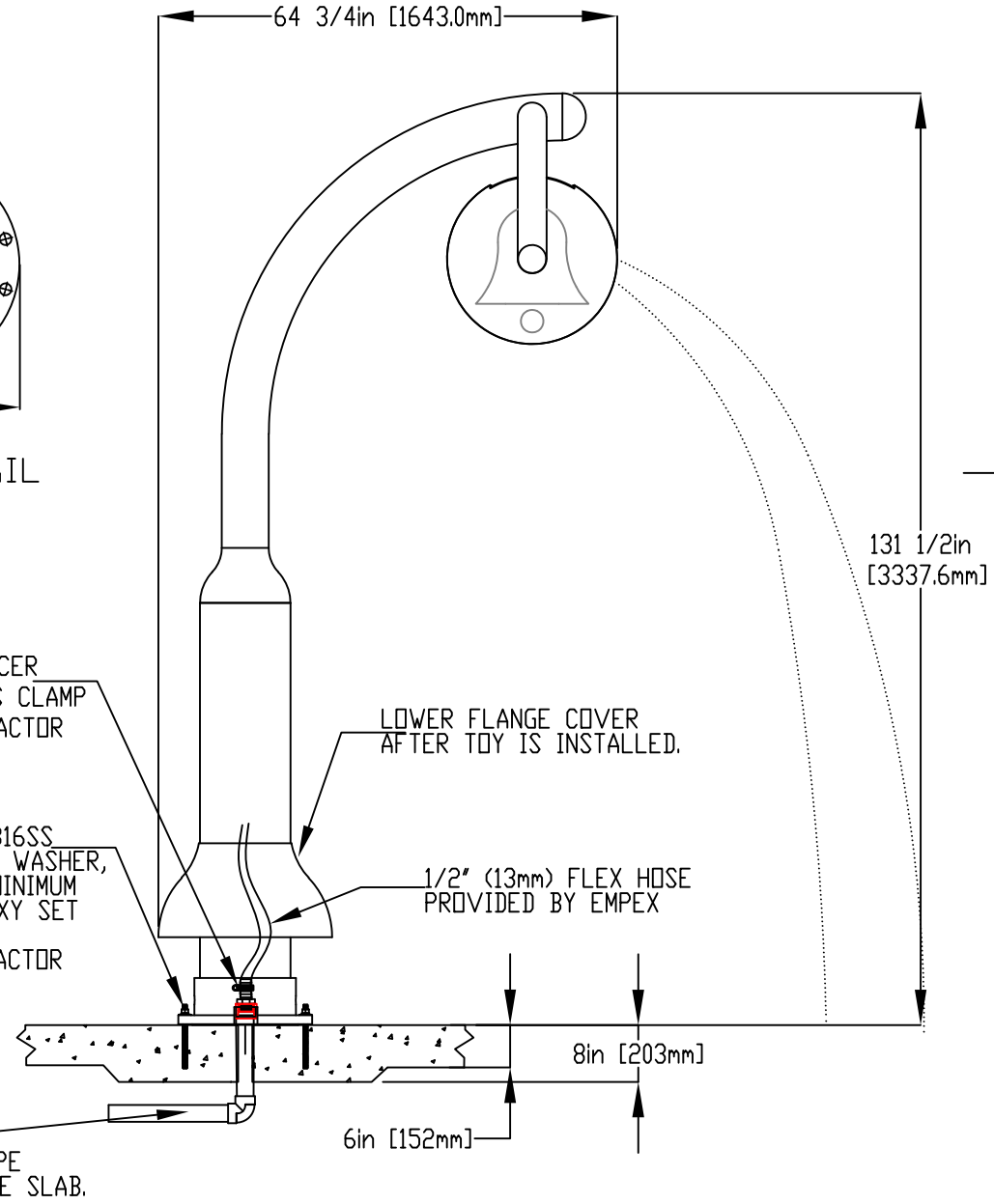
4

NOTES:

- (1) PURGE ALL WATER SUPPLY LINES TO REMOVE SOLIDS PRIOR TO TOY INSTALLATION.
- (2) PROVIDE ELECTRICAL BOND WITH POOL REBAR.
- (3) INSTALL ALL WATER TOYS PLUMB AND LEVEL.
- (4) PROVIDE STRAINER UPSTREAM OF TOY WITH MAX 1/32" (0.8mm) PERFORATIONS.



FLANGE DETAIL



2" (50mm) COUPLING
 2" (50mm)-1/2" (13mm) REDUCER
 1/2" (13mm) HOSEBARB W/SS CLAMP
 TO BE PROVIDED BY CONTRACTOR

5/8" (16mm) X 9" (229mm) 316SS
 THREADED ROD C/W FENDER WASHER,
 LOCK WASHER, & NUT (X6), MINIMUM
 6" (152mm) EMBEDMENT, EPOXY SET
 ANCHOR ADHESIVE
 TO BE PROVIDED BY CONTRACTOR

LOWER FLANGE COVER
AFTER TOY IS INSTALLED.

1/2" (13mm) FLEX HOSE
PROVIDED BY EMPEX

WATERFEED
 2" (50mm) SCH 40 PVC PIPE
 EXTENDED 6" (152mm) ABOVE SLAB.

A

A

B

B

C

C

D

D

E

E

F

F



Notes: Overall dimensions of toys are approximate.
 Approximate Weight: 178lbs / 80.9kgs

© EMPEX WATERTOYS

WATER SUPPLY
 10 gpm @ 25 psi
 0.63 L/S @ 17.5m

AQUADUNK AQUAFIRE

AF816

15/03/2022

SCALE:

Sheet
1 of 1

1

2

3

4